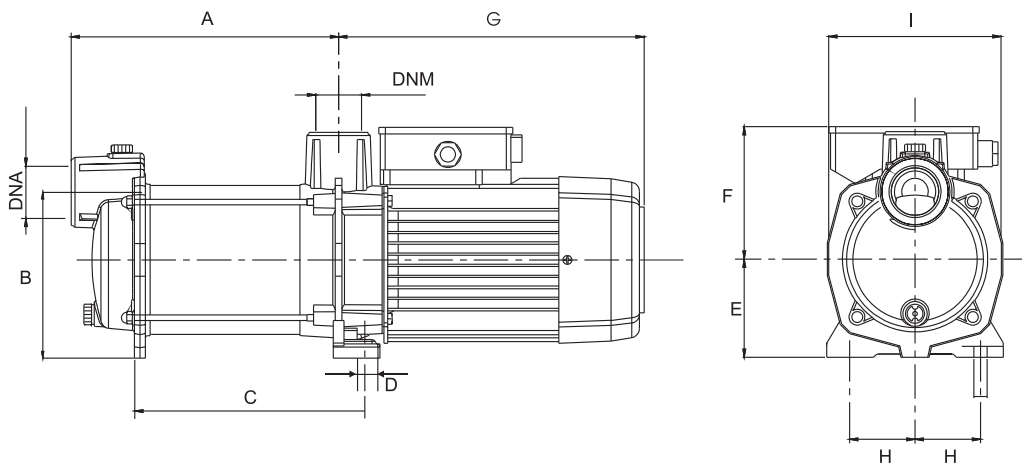


Модель PPro-Light	KW	V		A		P1(KW)		Q	H(m)					
		1~	3~	1~	3~	1~	3~		L/min	0	57	95	114	200
		50HZ	50HZ	220	380	1~	3~		m³/h	0	3.4	5.7	6.8	12
A PPro-L-H-S 14/2	1.1	220	380	6.3	2.6	1.3	1.25	H(m)	28	26	23	20	10	
B PPro-L-H-S 14/3	1.5	220	380	8.0	3	1.7	1.65		39	35	33	30	17	
C PPro-L-H-S 14/4	1.8	220	380	10.1	4	2.1	2.05		48	45	42	39	23	
D PPro-L-H-S 14/5	2.2	220	380	13.1	4.8	2.6	2.55		61	56	53	49	30	



DIMENSIONS

Модель PPro-Light	A	B	C	D	E	F	G	H	I	DNA	DNM	Kg
PPro-L-H-S 14/2	215.5	145	237	18	90	105	275	60	160	1 1/2"	1 1/4"	19.0
PPro-L-H-S 14/3	246	145	263.5	18	90	105	275	60	160	1 1/2"	1 1/4"	20.1
PPro-L-H-S 14/4	276	145	290	18	90	105	275	60	160	1 1/2"	1 1/4"	21.4
PPro-L-H-S 14/5	307	145	337.5	18	90	105	296	60	160	1 1/2"	1 1/4"	22.6